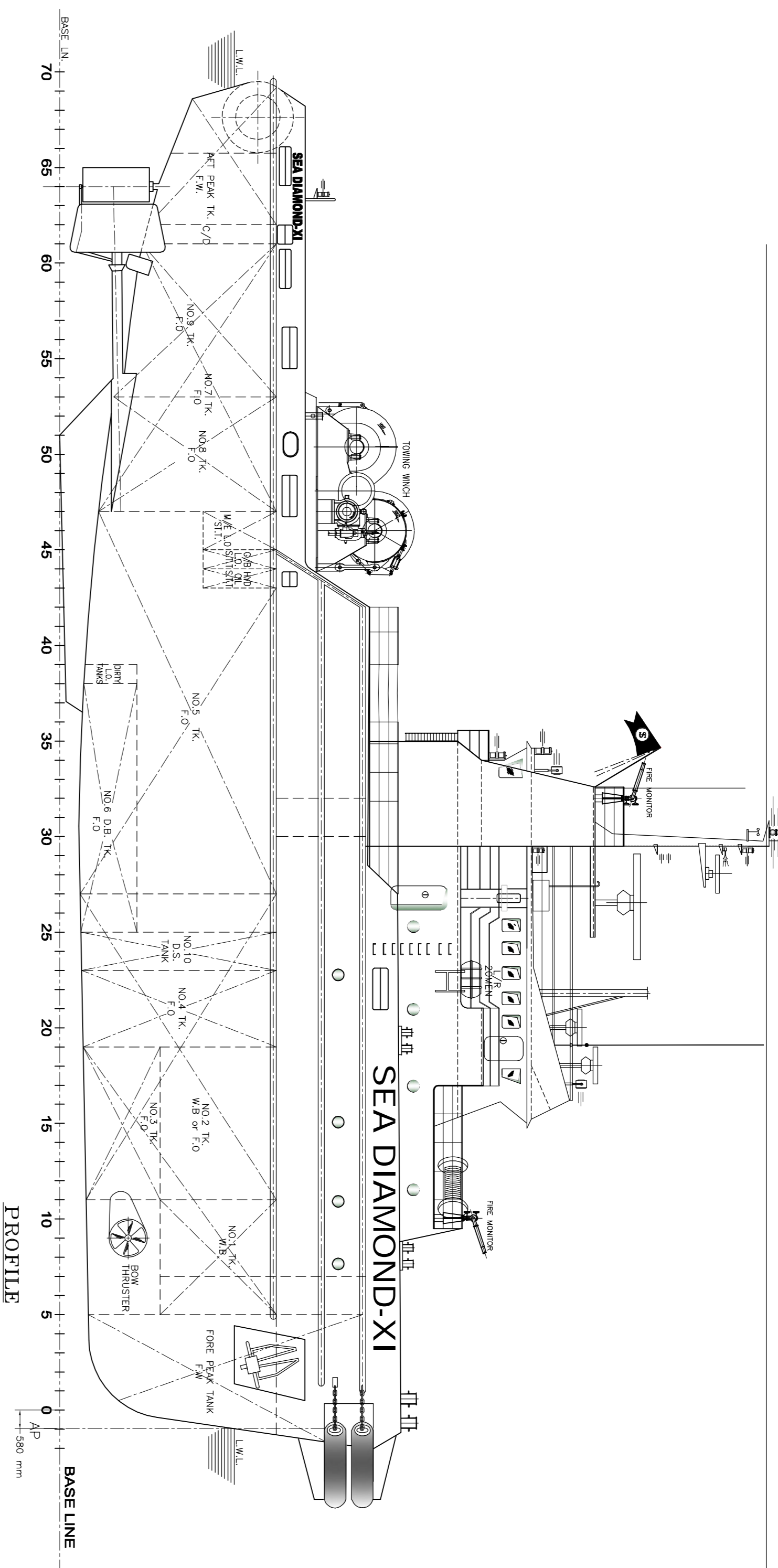
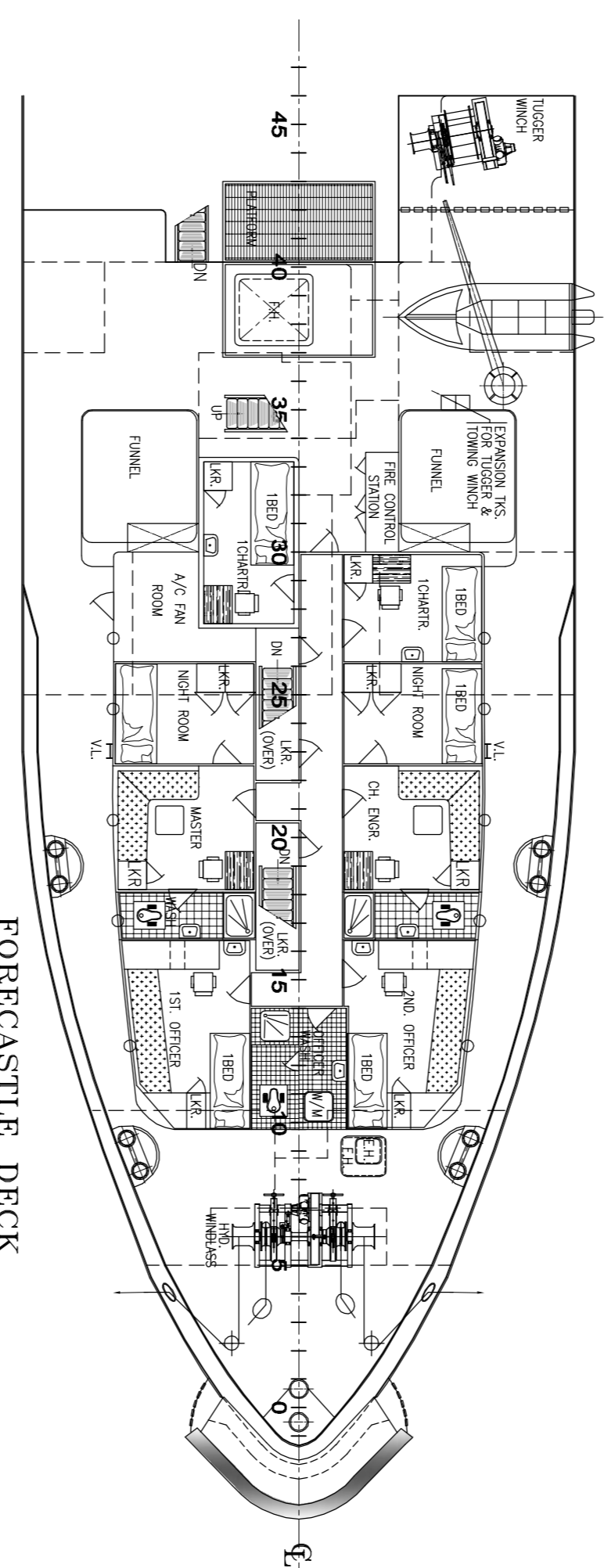


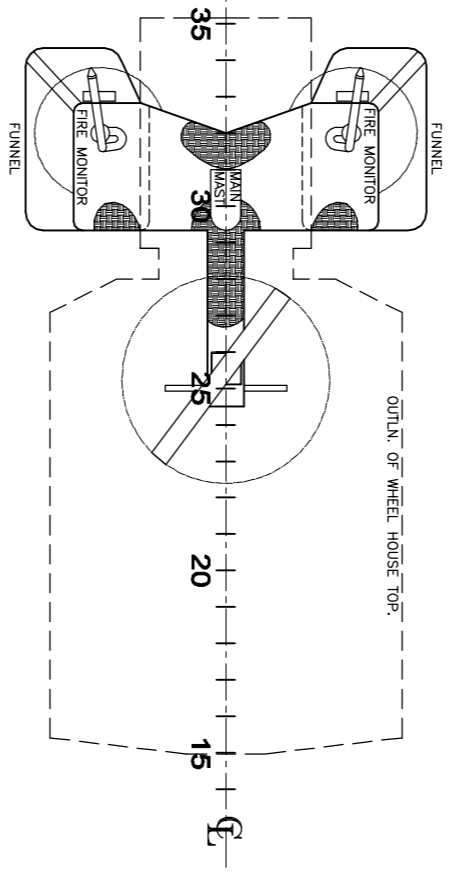
GENERAL ARRANGEMENT - SEA DIAMOND-XI



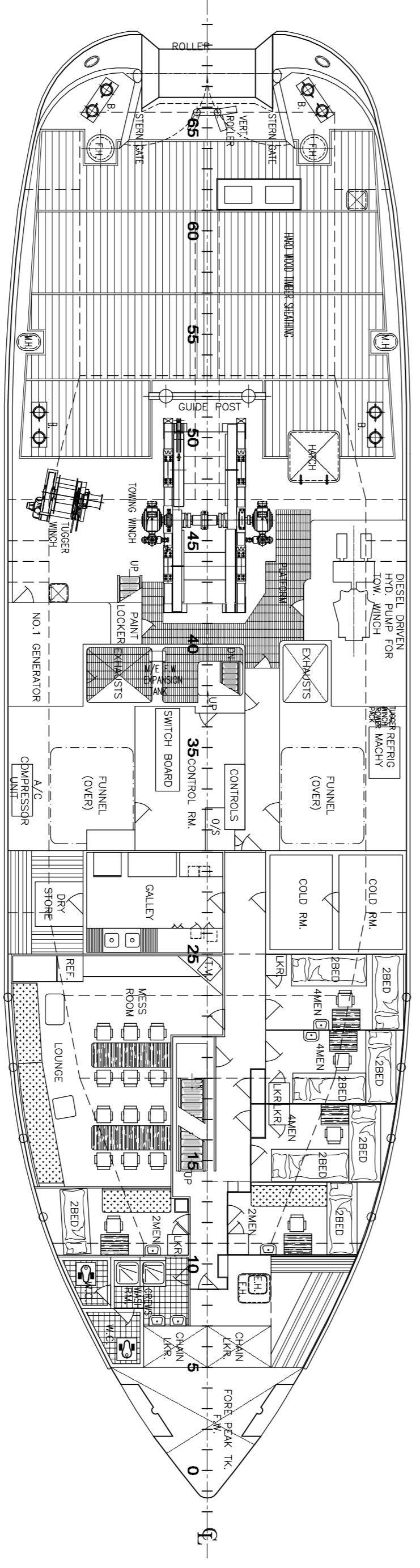
PROFILE



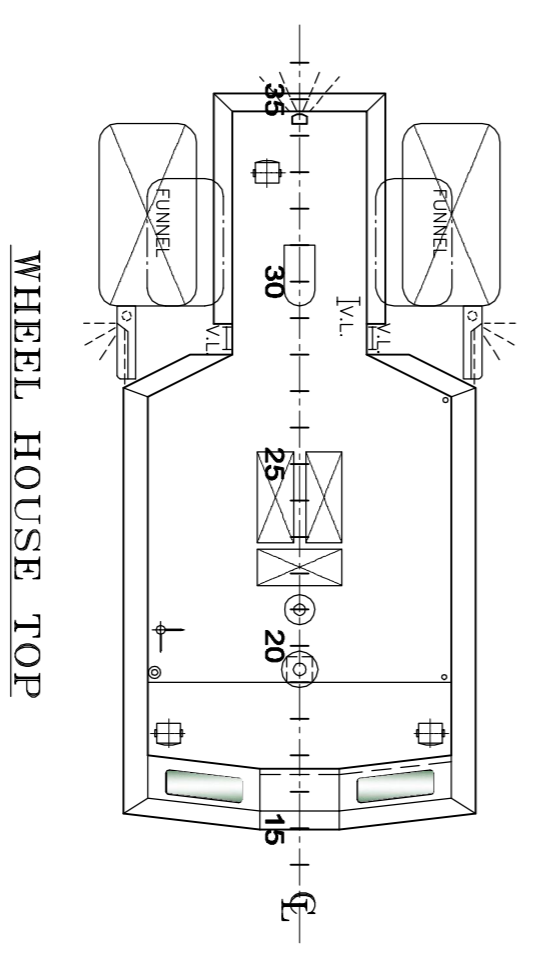
FORECASTLE DECK



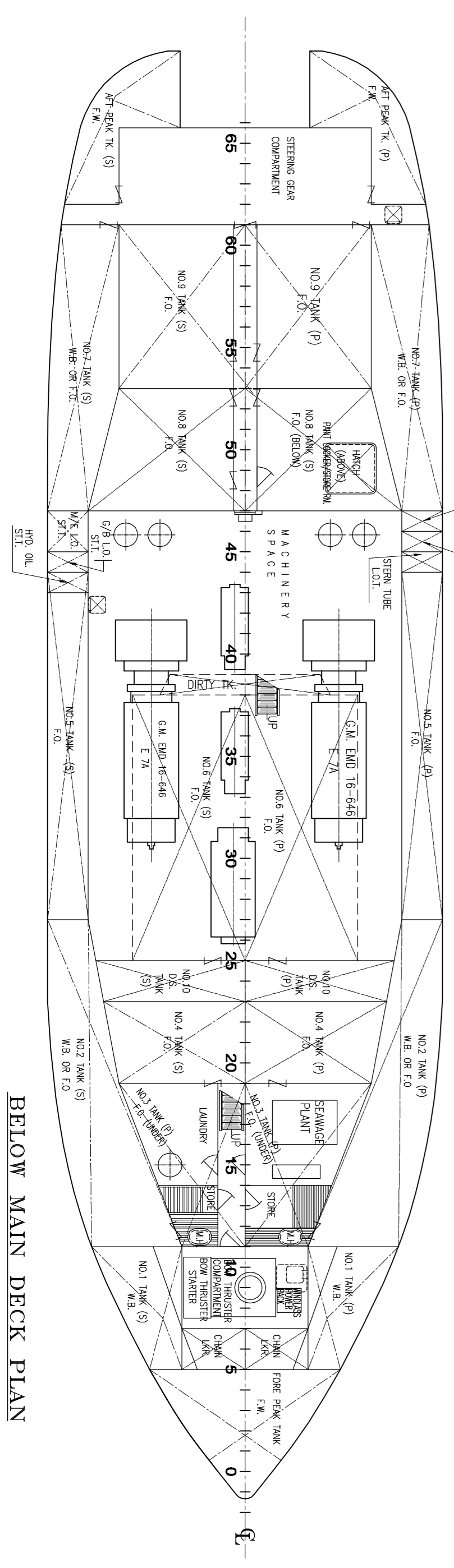
PLAN ABOVE WHEELHS. TOP



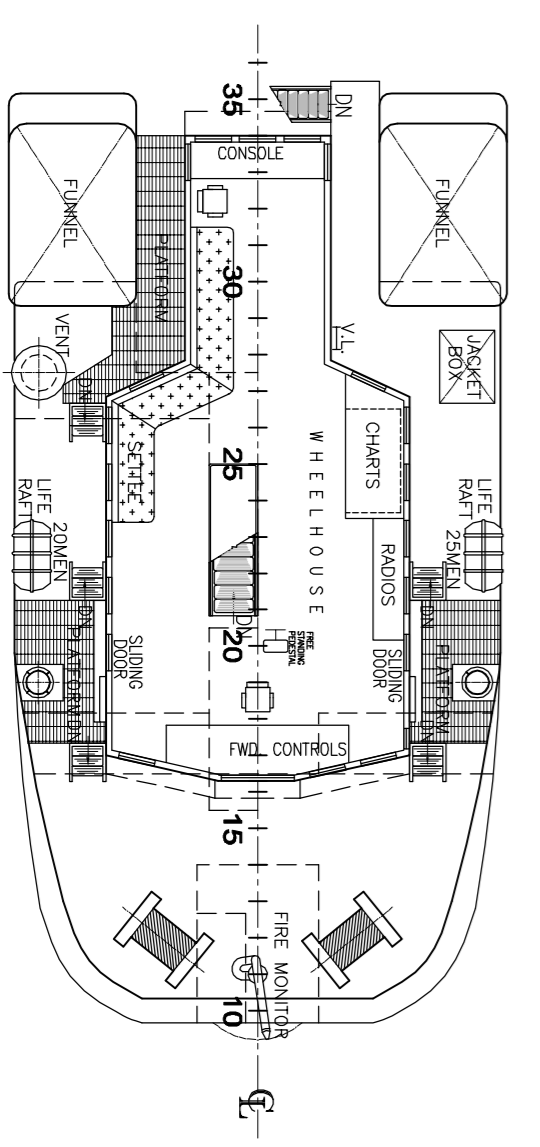
MAIN DECK PLAN



WHEEL HOUSE TOP



BELOW MAIN DECK PLAN



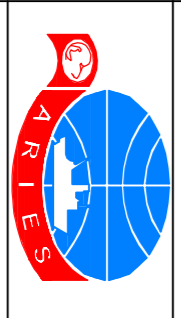
BRIDGE DECK

PRINCIPAL PARTICULARS
 LENGTH OVER ALL : 43.38 m
 LENGTH BET. P.P. : 39.62 m
 BREADTH (MID) : 11.58 m
 DEPTH (MID) : 5.79 m
 DRAFT (DESIGNED) : 4.88 m
 (ABOVE TOP OF KEEL)

SEA DIAMOND-XI

REV	DESCRIPTION	DATE	SIGN
0	INITIAL ISSUE	29.03.08	J.C.

REVISIONS
 ARIBS MARINE & ENGG. SERVICES
 PO BOX - 24496, SHARJAH, U.A.E.
 Tel: 00971(0)6 5614166, Fax: 00971(0)6 5614167
 Website: www.aribsmarine.com, Email: aribsmarine@aribsmarine.com



GENERAL ARRANGEMENT

VESSEL NAME : SEA DIAMOND-XI	DATE : 29.03.08	DWG. NO : DN6775/251
DRAWN BY : K.J.	JOB NO : DN6775	SHEET : 01 OF 01
CHECKED BY : J.G.	SCALE : 1:125	REV : 0
		SIZE : A1

This drawing, design concept, and specifications are the property of ARIBS MARINE & ENGG. SERVICES and are furnished on a confidential basis with an expressed understanding that they will not be copied in any manner, used for manufacture, sold, transferred, nor used to the benefit of any other party except for those specific purposes for which this drawing was issued.